

# VIAMI

## Compact MPO based embedded Switch Module

All-in-one integrated switch solution automating OTDR uni-directional/bidirectional and Bidirectional IL/ORL and OTDR FiberComplete PRO tests

Perfectly suited for MPO based networks and high fiber count cables, the on-board switch allows an automated test sequence up to 12 fibers.

**Characterize** individual fibers within high fiber count cables. Conduct upcoming patch panel port inspections while the automated OTDR test sequence is on-going. Test more fibers within the same time frame.

**Certify** new installations to industry standards. Eliminate the complexities of using fanout/break-out cables for MPO/MTP native networks certifications.

**Troubleshoot** issues at the press of a button. Speed fiber fault location with precise localization of issues like severe bends, high-loss splices and dirty or poor connections.



Multi-Fiber MPO based Switch Module -12 ports



T-BERD/MTS-4000 V2 Two-slot handheld modular platform for testing fiber optic networks



OneAdvisor 800 Modular test platform with 3 slots, designed for use in the installation and maintenance of fiber, wireless and transport applications.

### Benefits

- Simplify your test process for all native MPO/MTP network characterization, certification or troubleshooting
- Accelerate the high fiber count cable tests workflow and Transform time in money
- Measure with confidence with reduced manual process and complexity

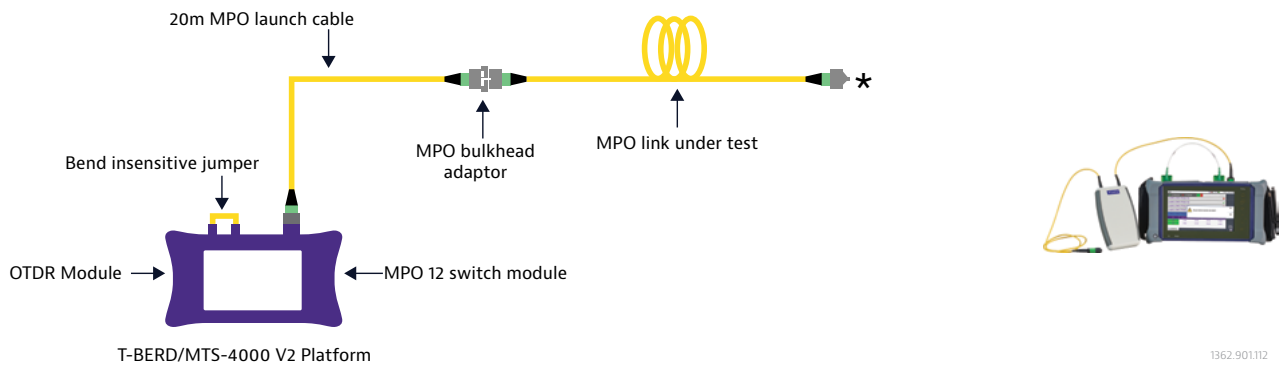
### Features

- All in one solution, on board module conveniently powered by the platform
- Replaces multi-fiber fanout patchcords where native MPO links installed
- Efficient workflow with automated switching over 12 ports through Cable-SLM software
- Compatible with OTDR 4100 series modules A, B, C, QUAD and with bidirectional IL, ORL and OTDR FiberComplete modules and with TrueBIDIR SW option

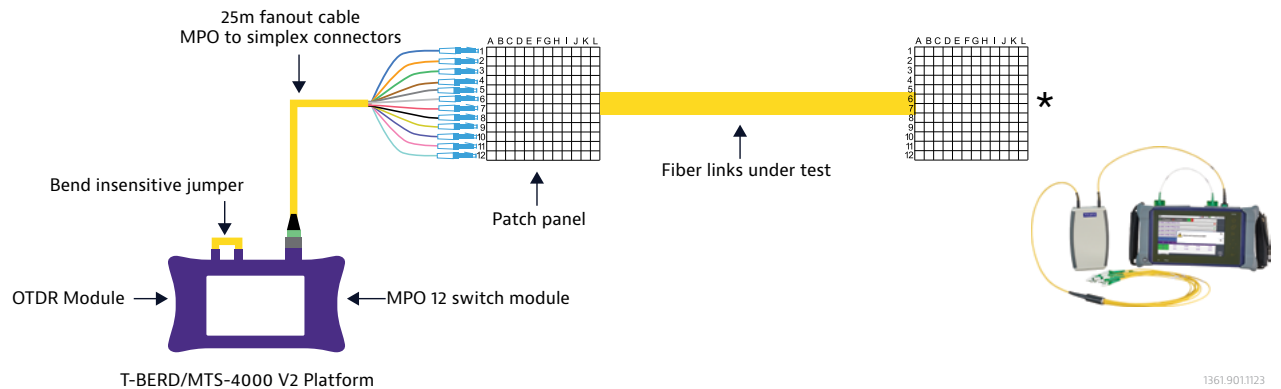
### Applications

- Data Center (structured cabling, campus, interconnect)
- FTTH (fiber indexing)/Access Networks
- Mobile Fronthaul (FTTA/C-RAN)

- An onboard MPO based switch for certifying native multifiber MPO/MTP links

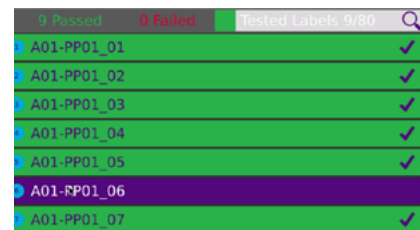


- An onboard MPO based switch module with fanout/breakout cable for bulk certification of simplex fibers

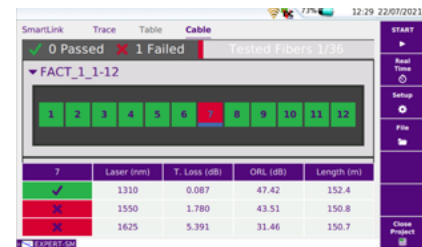


\* Receive cable can be installed at the far end to characterize the last connector.

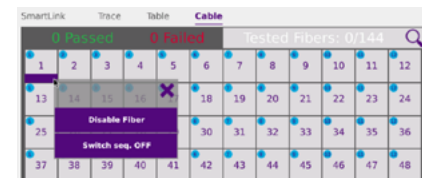
- The automated switch sequence is managed with Cable-SLM application. Its intuitive interface provides an overview of a high fiber count project with pass/fail status of each fiber/ connector tested.



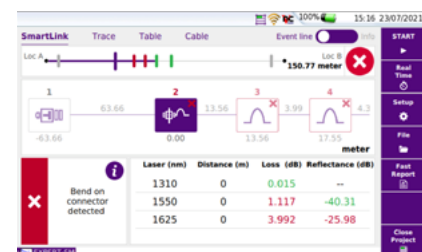
- A "Test All Fibers" function initiates a fully automated test sequence and delivers a visual verdict of each individual fiber of a 12-fiber MPO connector



- Bulk certify simplex fibers within high fiber count cables, manage groups of 12 fibers with a switch sequence starting at any fiber number needed with the Cable-SLM "simplex fiber" project management



- Possibility to troubleshoot a specific fiber and get a precise diagnostic of the fault



## Specifications (Typical at 25°C)

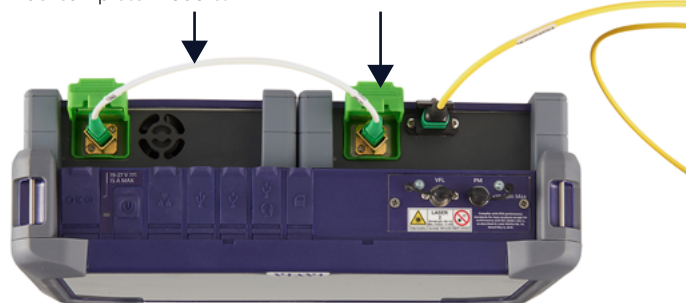
Optical	
Number of Ports	12 ports
Wavelength Range	1270 nm to 1650 nm
Insertion Loss <sup>1,2</sup>	1.2 dB typical
Return Loss with Connector	55dB
Input Port	SC/APC
Output Port	MPO 12 APC (pinned)
General	
Dimensions (w x h x d)	128 x 134 x 40 mm (5 x 5.28 x 1.58 in)
Weight	450 g (1 lb)
Operating Temperature	-10 to +50°C (14 to 122°F)
Storage Temperature	-20 to +60°C (-4 to 140°F)
Power Supply	automatically powered by the platform

<sup>1</sup>Measured at 1310, 1550 and 1625nm

<sup>2</sup>2.5 dB maximum

30cm insensitive jumper, to connect the switch module with the 4100 OTDR of FiberComplete Modules

E41MPO12SM: on board module switch



Best use (not included) with: Hands-free with neck strap for permanent fiber launch cable connection: E40GLOVE2

## Ordering Information

Part Number	Description
<b>MPO Switch Module and Kit</b>	
E41MPO12SM	MPO 12 switch module Includes: <ul style="list-style-type: none"> <li>• 1x 30 cm SC/APC to SC/APC bend insensitive jumper</li> <li>• 1x 30 cm SC/APC to SC/PC bend insensitive jumper</li> </ul>
MPO12MODKIT-SM	MPO 12 switch module kit with 2x 25 m MPO test cables Includes: <ul style="list-style-type: none"> <li>• 1x E41MPO12SM</li> <li>• 2X 25 m SM launch and receive MPO to MPO cables (pinned-unpinned)</li> <li>• 2x MTP/MPO bulkhead adapter with opposed key</li> </ul>
MPO12MODKIT2-SM	MPO 12 switch module Kit with 1x 25 m fanout test cable. Includes: <ul style="list-style-type: none"> <li>- 1x E41MPO12SM</li> <li>- 1x 25 m SM test cable MPO to SC/APC</li> </ul>

### Software Options

ECABLESLM	Cable management software option for new platforms. Allows the configuration of an automatic switch sequence.
ECABLESLM-UPG	Cable management software option for installed platforms. Allows the configuration of an automatic switch sequence.

### Accessories

ELCSM25A-MPOF-MPOM	1x 25 m SM MPO unpinned to MPO pinned launch cable
ELCSM25A-MPOF-MPOF	1x 25 m SM MPO unpinned to MPO unpinned cable
ELCSM25-MPO-SC	1x 25 m SM fanout launch cable MPO unpinned to SC/PC
ELCSM25-MPO-SCA	1x 25 m SM fanout launch cable MPO unpinned to SC/APC
ELCSM25-MPO-LCA	1x 25 m SM fanout launch cable MPO unpinned to LC/APC
ELCSM25-MPO-LC	1x 25 m SM fanout launch cable MPO unpinned to LC/PC
ECLIKCLEANERMPO	IBC Cleaning Tool for MTP/MPO connectors
EMPOTERM-F	SM MPO unpinned reflective terminal (for ORL referencing with FiberComplete bi-directional modules)
EMPOTERM-M	SM MPO pinned reflective terminal (for ORL referencing with FiberComplete bi-directional modules)
EFJ30SCAPC	1x 30 cm spare part bend insensitive jumper SC/APC to SC/APC
EFJ30SCUPCAPC	1x 30 cm spare part bend insensitive jumper SC/APC to SC/UPC



Contact Us **+1 844 GO VIAVI**  
(+1 844 468 4284)

To reach the VIAVI office nearest you, visit [viasolutions.com/contact](https://viasolutions.com/contact)

© 2024 VIAVI Solutions Inc.  
Product specifications and descriptions in this document are subject to change without notice. Patented as described at [viasolutions.com/patents](https://viasolutions.com/patents)  
m-p-o-d-s-f-o-p-n-s-e-a-e  
30186213 907 0224

[viasolutions.com](https://viasolutions.com)