

Brochure

IEEE C37.94 Testing with the T-BERD/MTS-5800 Family

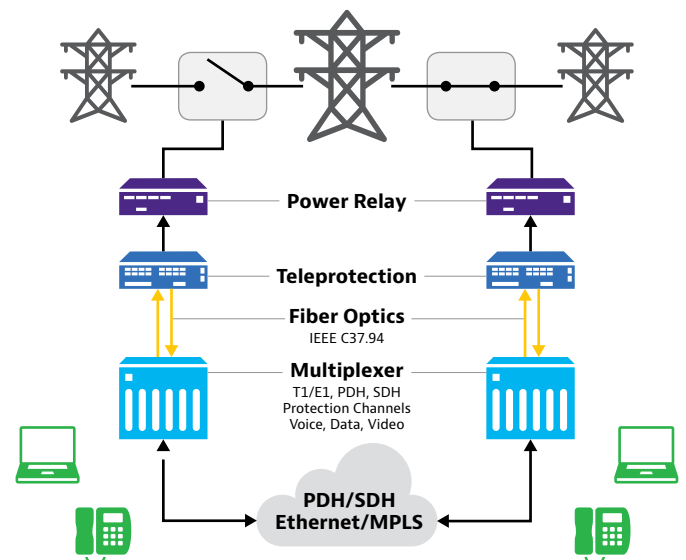
The VIAVI T-BERD/MTS-5800 delivers power utility operators the ability to measure reliability on the WAN backbone and on the substation LAN. As utilities transition from T1/SONET/IRIG-B to Ethernet /MPLS, the T-BERD/MTS-5800 platform gives technicians all the test capabilities necessary to ensure high network performance, including Ethernet/IP with multiple VLANs, MPLS, and 1588v2 (PTP).

In addition, the T-BERD/MTS-5800 family allows technicians to test WAN circuits and the substation fiber plant for cleanliness and to confirm that connectors, splices & patch panels are functioning properly. Tele-protection interfaces, specifically C37.94 optical power and loss in order, that connect power system equipment to Intelligent Electrical devices (IEDs) should be Bit Error Rate tested to confirm that EMI is not negatively impacting communications.

Contact us today to add the critical C37.94 to your testing portfolio.

Package	Description
C5C3794-U1	Software Option Upgrade
CSFP-2M-8-1	SFP Utility Optic for C37.94 - 850 NM/ 2km/ MM
CSFP-2M-3-1	SFP Utility Optic for C37.94 - 1310 NM/ 2km/ SM

Available on existing T-BERD/MTS-5800 and T-BERD/MTS-5882 platforms.



Contact Us **+1 844 GO VIAVI**
(+1 844 468 4284)

To reach the VIAVI office nearest you,
visit viavisolutions.com/contact

© 2019 VIAVI Solutions Inc.
Product specifications and descriptions in this
document are subject to change without notice.
C37.94-br-tfs-nse-ae
30187637 900 0219